

## TILTING DISC CHECK VALVE

The **SERIES 35** check valve is a reliable metal seated valve with an oblique seating angle widely used in industries such as:

- Pulp and Paper
- Waste Water treatment Plants
- Food and Beverage
- etc.

**Sizes:** 1.5" to 36" (larger diameters on request)

**Working Pressure:** Sizes 1.5" to 6" : 350 PSI  
 Sizes 8" to 20" : 225 PSI  
 Size 24" to 36" : 150 PSI

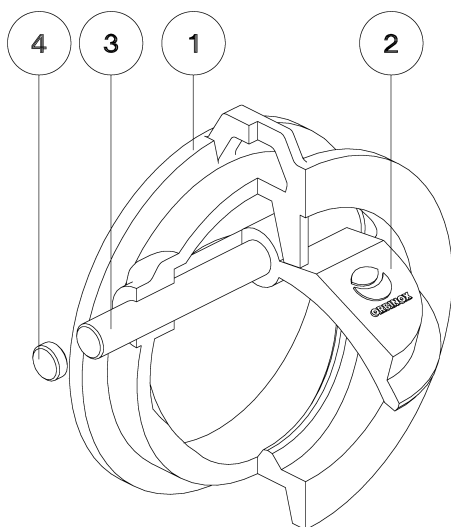
**Standard Flange Connection:** ANSI B16.5 (class 150)  
 DIN PN 10

**Note:** Other flange connections are available on request such as:

Face to face dimensions acc. to K3 KIN 3202



All valves are tested prior to shipping in accordance with the manufacturers specification standard developed by the Quality Control department at ORBINOX.



### STANDARD PARTS LIST

Part:	Stainless Steel:
1 - Body	CF8M
2 - Disc	CF8M
3 - Shaft	AISI 316
4 - Cover	AISI 316



## DESIGN FEATURES

- Small face-to-face dimension.
- Light weight for easy field installation.
- Allows opening at low pressure differentials.
- Metal to metal shut off at both high and low pressure differentials.

### BODY:

- Wafer style cast monoblock.
- Standard lift lug on 8" size and higher for easier installation.

### DISC:

- Lightweight designed for maximum strength and low inertia shape.

### SHAFT:

- Stainless steel shafts give maximum strength and accurate guiding to the tilting disc.
- One-piece design for diameters up to size 8", two piece for diameters over size 10".
- Welded seal shaft covers on the exterior of the valve body.



## OTHER OPTIONS



### AUXILIARY SPRING

- Accelerates the speed for closing.

### COUNTERWEIGHT WITH OR WITHOUT DASH POT

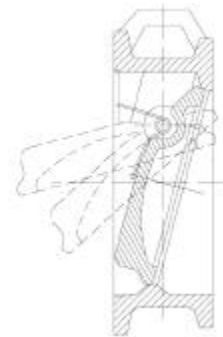
- This option reduces the max. working pressure of the valve, please consult our technical department for recommendations.

### OTHER MATERIALS OF CONSTRUCTION

- Special alloys such as AISI 317, 254SMO, Hastelloys, Titanium, etc.

### FABRICATED VALVES:

- Orbinox is equipped for in house fabrication of special valves, depending on the design.
- Design is based on application, diameter, pressure, material of construction, etc.



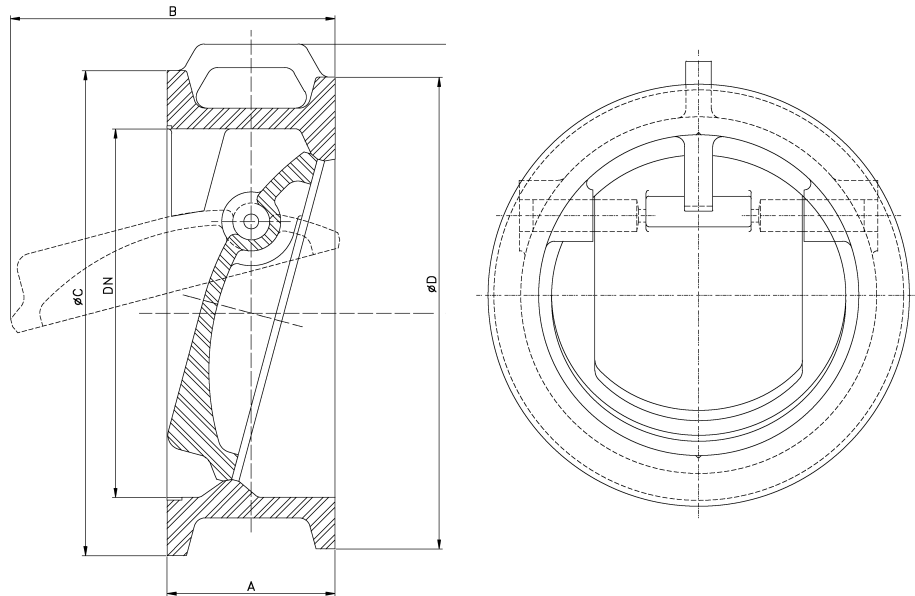
## SEAT TYPE

### METAL / METAL (standard)

- High temperature, high density media application, positive shut off.



- Standard Series 35 check valve.
- Valve sizes: 1.5" to 36", larger on request.
- Options:
  - Auxiliary Spring
  - Counterweight, with or without dashpot.



SIZE	A	B	OC(PN10)	OC(ANSI150)	OD	E	Weight (lbs)
1.5"	1.3	1.8	3.6	3.3	1.3	0.0	2
2"	1.7	2.1	4.2	4.0	1.7	0.0	2
2.5"	1.8	2.5	5.0	4.8	2.3	0.0	4
3"	2.5	3.3	5.6	5.3	2.8	0.0	7
4"	2.5	3.9	6.4	6.8	3.5	0.0	10
5"	2.8	4.6	7.6	7.6	4.4	0.0	14
6"	3.0	5.4	8.6	8.6	5.3	0.0	17
8"	3.5	8.8	10.7	10.7	7.1	6.1	33
10"	4.5	8.7	13.0	13.3	8.9	7.2	58
12"	4.5	9.9	14.9	16.0	10.6	8.3	74
14"	5.0	11.6	17.2	17.7	12.4	9.4	119
16"	5.5	13.4	19.3	20.2	14.4	10.8	144
18"	6.0	14.6	21.3	21.6	16.1	11.8	202
20"	6.0	15.9	23.4	23.8	18.1	12.8	242
24"	7.0	19.6	27.4	28.2	21.9	15.4	392
28"	9.0	24.3	31.9	31.5	25.6	18.1	539
30"	9.0	24.1	0.0	34.6	25.6	19.1	682
32"	9.5	26.6	36.1	36.9	29.3	20.3	847
36"	9.5	29.5	40.1	39.8	32.9	22.1	979

